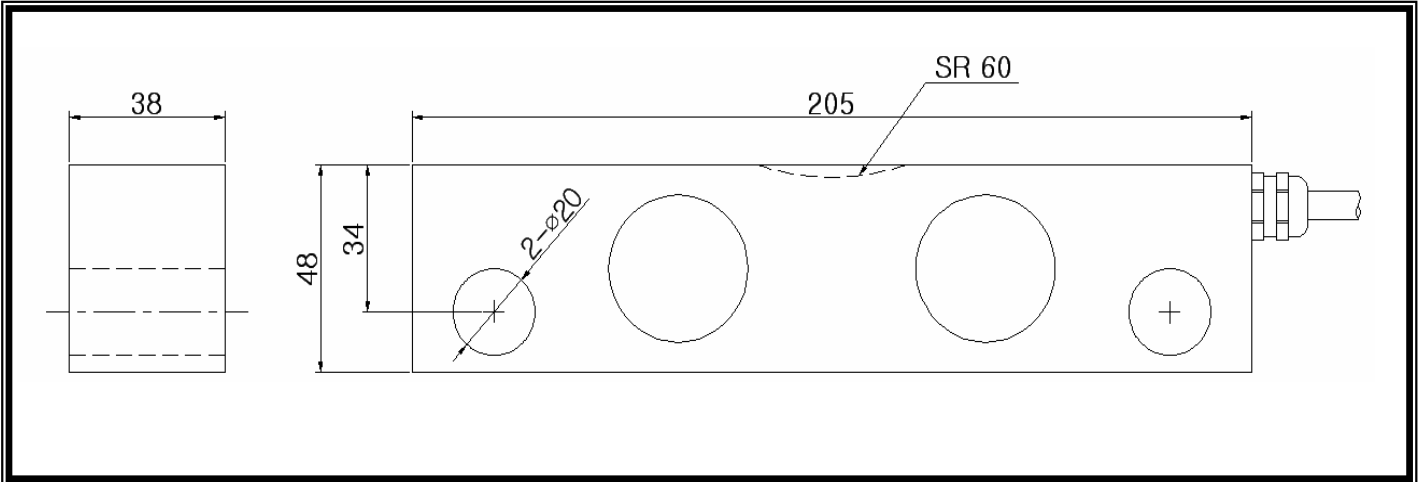


# DES-B Truck weighing Load Cell

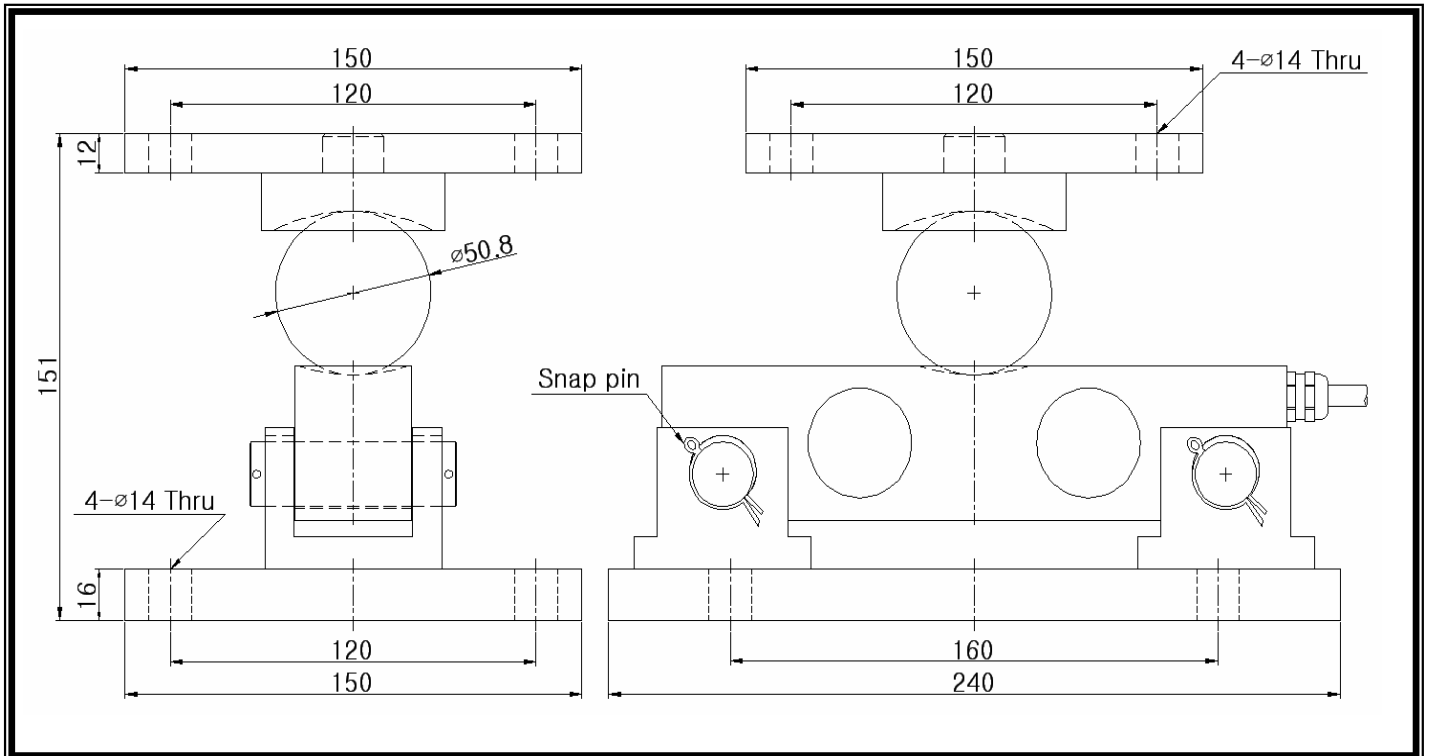


## DIMENSION

Load Cell



Accessory Assembly



## ACCESSORY FEATURES

- ◆ 로드셀 교체가 용이.
- ◆ Tank, Platform 환경에 적합.
- ◆ Ball을 사용하여 로드셀 특성 향상에 적합.
- ◆ 구조적으로 안전한 형상.

## MANUAL

- ◆ 로드셀이 바닥면과 수평이 맞는지 확인한다.
- ◆ 스냅링에 무리한 힘을 주어 분리하지 않는다.

# DSB1 Truck & tank weighing Load Cell



## Load Cell



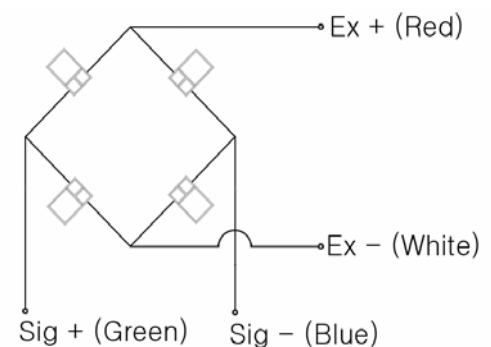
## FEATURES

- ◆ NTEP IIIIL 10,000M pending (Handbook 44)
- ◆ Protection Class IP67
- ◆ Compatible with other sources

## ACCESSORY OPTION

- ◆ DSB1-TW Accessory (Set)

## CABLE COLOR CODE



## SPECIFICATION

Max. Capacity	klbf	10,20,25	
Rated Output	mV/V	3.0±0.0075	
Zero Balance	mV/V	0±0.03	
Accuracy Class		D3	B10(IIIIL 10,000M)
Non-Linearity	% R.O.	0.05	0.03
Hysteresis	% R.O.	0.05	0.03
Combined Error	% R.O.	0.05	0.03
Repeatability	% R.O.	0.03	0.015
Creep for 30min.	% R.O.	0.05	0.02
Return for 30min.	% R.O.	0.05	0.02
Resolution		≤ 1/2000	≤ 1/3000
Division	mV/V	0.0015	0.001
Temperature Effect on Zero Value	%/10°C	0.03	0.014
Temperature Effect on Output Value	%/10°C	0.02	0.011
Excitation			
Recommended	V	10	
Maximum	V	15	
Resistance			
Input	Ω	800±40	
Output	Ω	700±7	
Insulation	MΩ	> 2000	
Compensated Temperature Range	°C	-10 to +40	
Operating Temperature Range	°C	-20 to +80	
Material & Plate		Nickel plated steel	
Cable Specification		Φ5.4*4P*10m (Urethane-Jacket)	
Safety Overload	% R.L.	150% R.L.	
Platform Size	mm	No Platform Type	